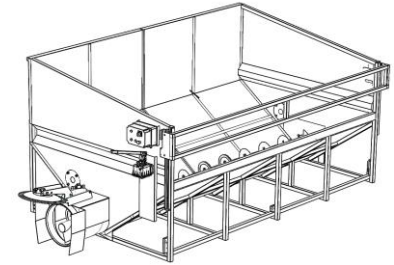
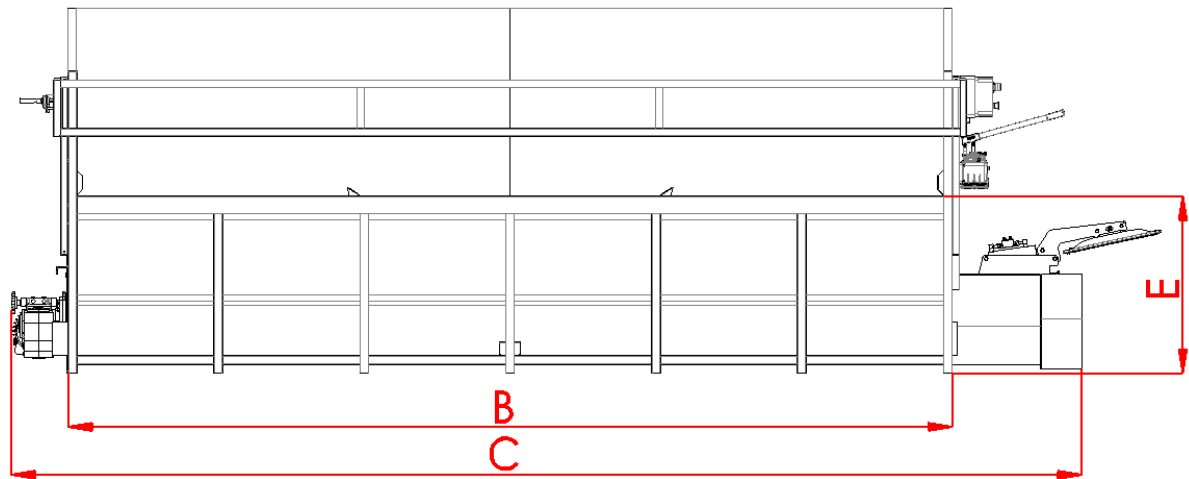
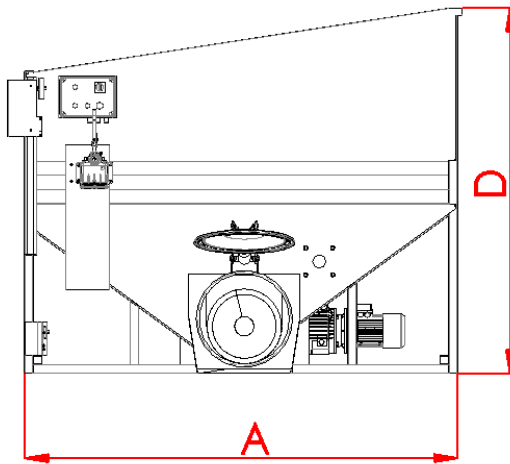


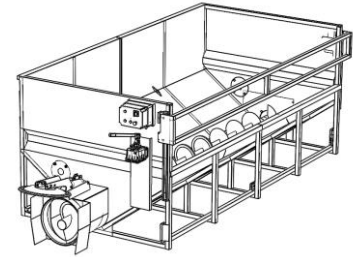
# VSA



MODEL	WIDTH (A)	LENGTH (B/C)	HEIGHT (D)	HEIGHT DISCHARGE (E)	WEIGHT	CAPACITY	SCREW	POWER	ROTATION SPEED	MAXIMUM FLOW
	[mm]	[mm]	[mm]	[mm]	[kg]	[m <sup>3</sup> ]	[mm]	[kW]	[rpm]	[m <sup>3</sup> /h]
VSA-3000	2450	3000÷4050	2060	1000	1100	3.7	400x400	3.0	3.5 ÷ 19	80
VSA-4000	2450	4000÷5050	2060	1000	1250	4.9	400x400	3.0	3.5 ÷ 19	80
VSA-5000	2450	5000÷6050	2060	1000	1400	6.2	400x400	4.0	3.5 ÷ 19	80
VSA-6000	2450	6000÷7050	2060	1000	1550	7.4	400x400	4.0	3.5 ÷ 19	80
VSA-7000	2450	7000÷8050	2060	1000	1700	8.7	400x400	5.5	3.5 ÷ 19	80



# VSB



MODEL	WIDTH (A)	LENGTH (B/C)	HEIGHT (D)	HEIGHT DISCHARGE (E)	WEIGHT	CAPACITY	SCREW	POWER	ROTATION SPEED	MAXIMUM FLOW
	[mm]	[mm]	[mm]	[mm]	[kg]	[m <sup>3</sup> ]	[mm]	[kW]	[rpm]	[m <sup>3</sup> /h]
VSB-3000	2000	3000÷4050	1650	900	850	2.8	400x400	3.0	3.5 ÷ 19	80
VSB-4000	2000	4000÷5050	1650	900	1000	3.8	400x400	3.0	3.5 ÷ 19	80
VSB-5000	2000	5000÷6050	1650	900	1150	4.8	400x400	4.0	3.5 ÷ 19	80
VSB-6000	2000	6000÷7050	1650	900	1300	5.8	400x400	4.0	3.5 ÷ 19	80
VSB-7000	2000	7000÷8050	1650	900	1450	6.8	400x400	5.5	3.5 ÷ 19	80

